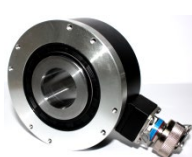


Features and applications:

- Robust large incremental encoder with ma. hole diameter of Ø65mm
- Through-hole encoder, the diameter can be flexibly customized
- Resolution Max. 10000 ppr.
- Excellent Shock and vibration resistant, High protection class up to IP66
- Widely applied in all industries



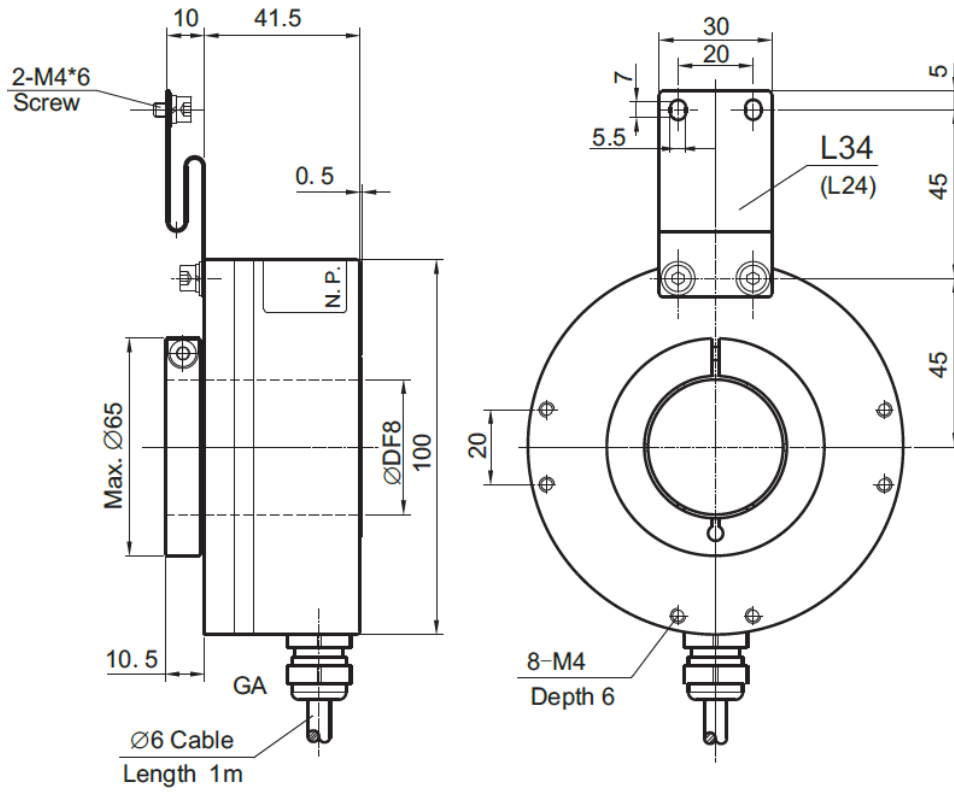
Model	PIN100	PIN100N	PIN120	PIN121
Housing diameter	Ø 100mm		Ø 120mm	
Shaft diameter	Hollow Shaft Ø28 /30 /35 /38 /40 /42 /45 /48 /50 /55 mm		Hollow Shaft Ø30 / 38 / 40 /42 mm	Hollow Shaft Ø50 / 55 / 60 / 65 mm
Working principle	Opto-electronic			
Power supply	5±0.25 Vdc or 10....30Vdc			
Output circuit	HTL/push-pull , TTL/RS422, Voltage output, Current output			
Output signal	A B , A B Z or A B Z + A/ B/ Z/			
Zero signal	Zsignal width1T (0.5T or 0.25T for option)			
Current consumption	80mA, (HTL / TTL 150mA max.)			
Response frequency	100KHz, 150KHz, 300KHz			
Connection method	Cable or Connector			
Outgoing method	Radial			
Max. speed	3000r/min	2500r/min	3000r/min	2500r/min
Shaft load	Radial 40N, axial 20N	Radial 40N, axial 20N	Radial 200N, axial 100N	Radial 100N, axial 50N
Protection class	IP66	IP54	IP65	IP54, IP65
Starting torque	5x10 ⁻² N.m Max.		8x10 ⁻² N.m Max.	
Operating temperature	-25°C....80°C (-40°C....100°C special make)		-40°C....100°C	
Storage temperature	-35°C....100°C	-35°C....80°C	-40°C....100°C	-40°C....100°C
Shock resistance	1000 m/s ² , 6 ms			
Vibration resistance	100 m/s ² , 10....200Hz			
Resolution	Common pulse: 100, 125, 200, 256, 300, 360, 500, 512, 600, 1000, 1024, 1500, 2000, 2048, 2500, 3000, 3600, 4000, 4096, 5000, 8192, 90000, 10000(can be customized within 10000 pulses)			

Wiring table

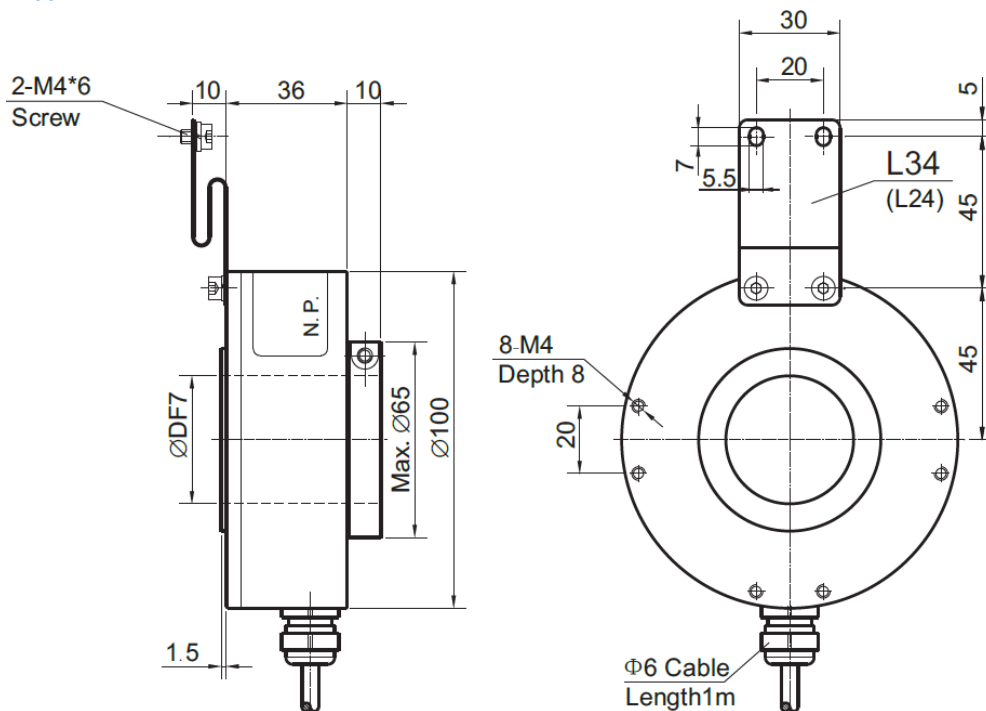
Color	White	Black	Red	Green	Yellow	Pink	Blue	Orange	Shield
Signal	Vcc	0V	A	B	Z	-	-	-	- ¹⁾
Signal	Vcc	0V	A	B	Z	A/	B/	Z/	- ¹⁾

Dimension drawing

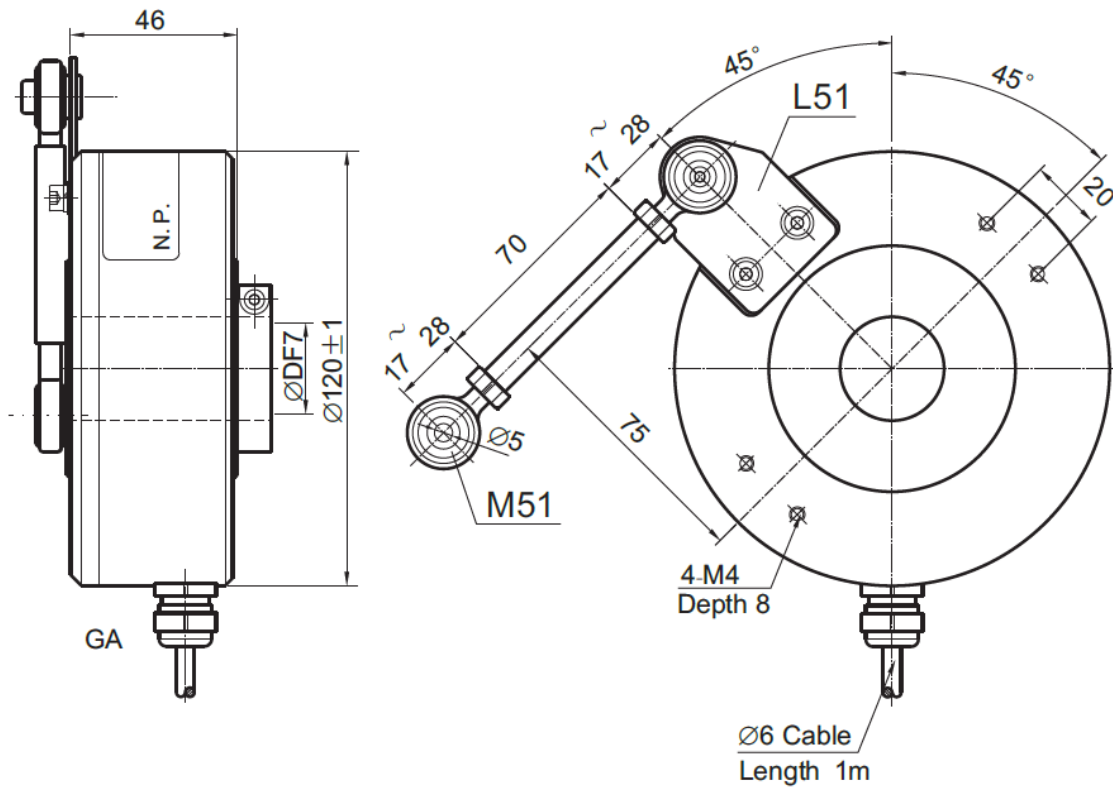
Series PIN100:



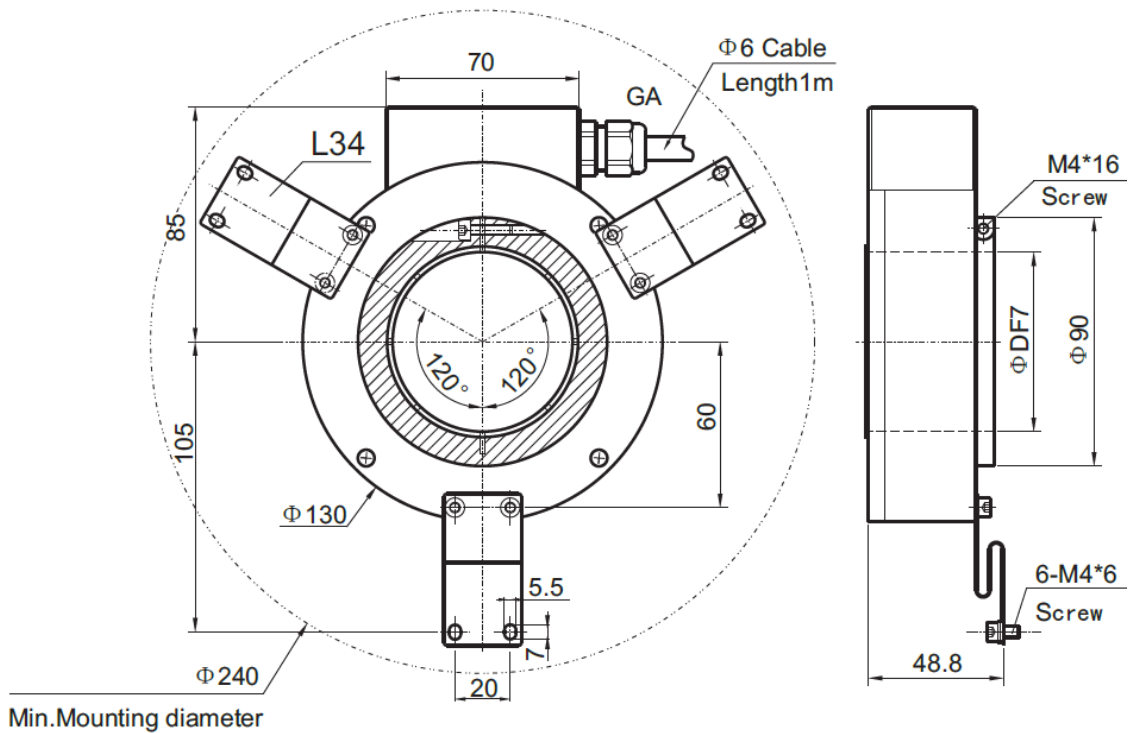
Series PIN100N:



Series PIN120:



Series PIN121:



Order Reference:

	1	2	3	4	5	6	7	8
1. Spec. and series	PIN100 - PIN100N - PIN120 - PIN121 -	XXX	XX	X	X	X	XXXXX	XX
2. Shaft diameter								
028	Ø28mm	028						
030	Ø30mm	030						
035	Ø35mm	035						
038	Ø38mm	038						
040	Ø40mm	040						
042	Ø42mm	042						
045	Ø45mm	045						
048	Ø48mm	048						
050	Ø50mm	050						
055	Ø55mm	055						
060	Ø60mm	060						
065	Ø65mm	065						
3. Connection type								
A1	Cable Ø7mm, 8x2x0.14mm ² , 1m		A1					
AC	Connector		AC					
AB	Connector M23		AB					
4. Connection position								
R	Radial			R				
5. Signal output								
6	A+ B+ Z+ and A- B- Z-				6			
3	A B Z				3			
6. Output circuit								
T	10-30V, HTLpush-pull					T		
E	5V, TTLdriver					E		
F	5-30V, HTLpush-pull					F		
7. Number of pulses:							01024	
	10, 15, 50, 100, 120, 125, 200, 250, 256, 300, 360, 400, 500, 512, 600, 1000, 1024, 1200, 1250, 1500, 1800, 2000, 2048, 2500, 3000, 3600, 4000, 4096, 5000, 8192, 10000, 16000							
8. EX explosion-proof								
	EX explosion-proof type encoder EX II 2G Ex ib IIB T4 Gb							EX