

Features and applications:

- Precise opto-electronic sensor
- Solid shaft with max.diameter of Ø10 mm
- Resolution max. 16000ppr.
- Shock and vibration resistant and high protection class up to IP68
- Flexible installation, widely applied in various automation industries, **Explosion-proof encoder**



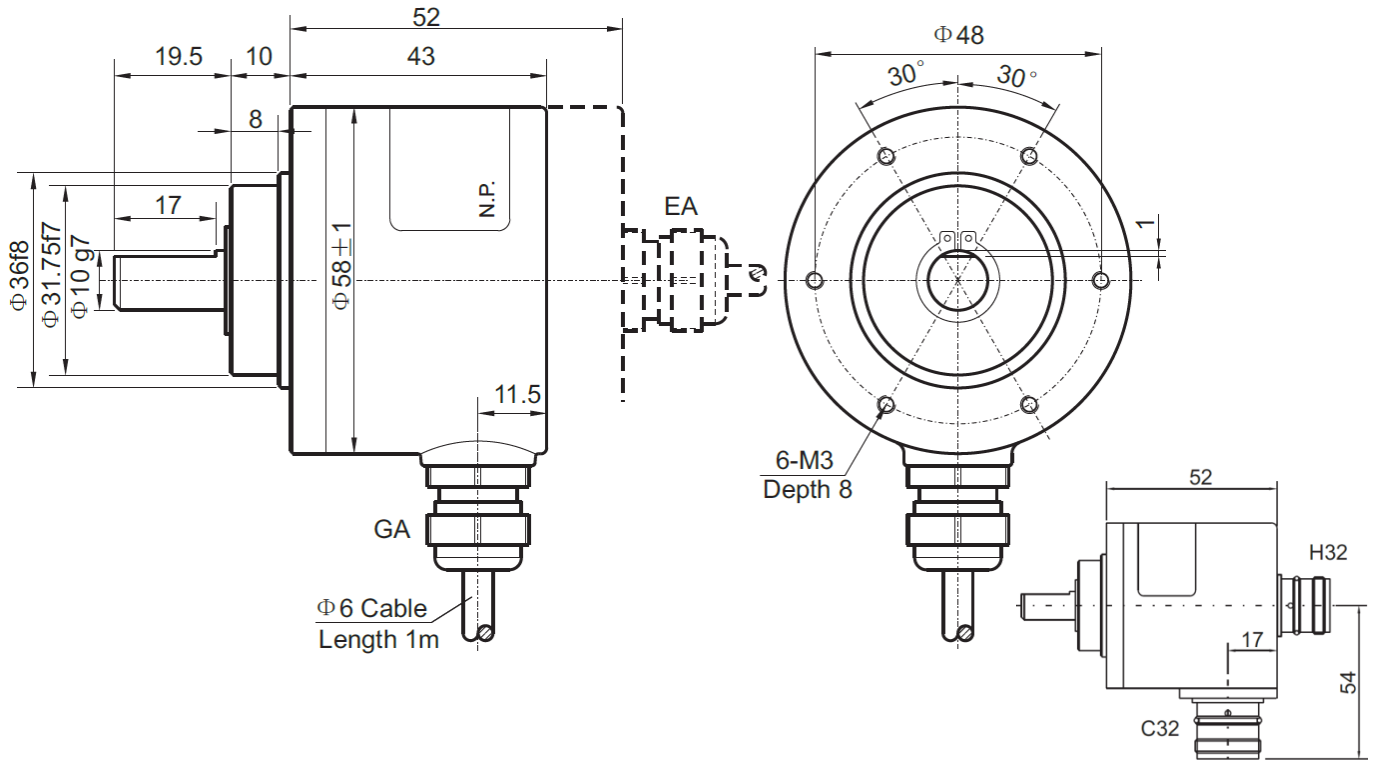
Model	PINS58	PINS58A	PINS58B	PINS58C
Housing diameter	Ø 58 mm			
Shaft diameter	Solid shaft Ø 6 / 8 / 10 mm			
Working principle	Opto-electronic			
Power supply	5±0.25 Vdc or 10....30Vdc			
Output circuit	HTL/push-pull , TTL/RS422, Voltage output, Current output			
Output signal	A B , A B Z or A B Z + A/ B/ Z/			
Zero signal	Zsignal width1T (0.5T or 0.25T for option)			
Current consumption	80mA, (HTL/TTL 150mA max.)			
Response frequency	100KHz, 125KHz , 150KHz, 250KHz , 300KHz			
Connection type	Cable or Connector			
Connection position	Axial / Radial			
Max. speed	6000 r/min			
Shaft load	Radial 40N, Axial 20N			
Protection class	IP65	IP65, IP68	IP65	IP65, IP66
Starting torque	3x10 ⁻² N.m Max.			
Operating temperature	-25°C....85°C (-40°C....100°C special make)			
Storage temperature	-35°C....100°C			
Shock resistance	1000 m/s ² , 6 ms			
Vibration resistance	100 m/s ² , 10....200Hz			
Resolution	Common pulse: 10 , 15 , 50, 100 , 120, 125, 200, 250, 256, 300, 360, 400, 500 , 512, 600, 1000, 1024 , 1200, 1250, 1500, 1800, 2000, 2048 , 2500 , 3000, 3600, 4000, 4096, 5000 , 8192, 10000, 16000			

Wiring table

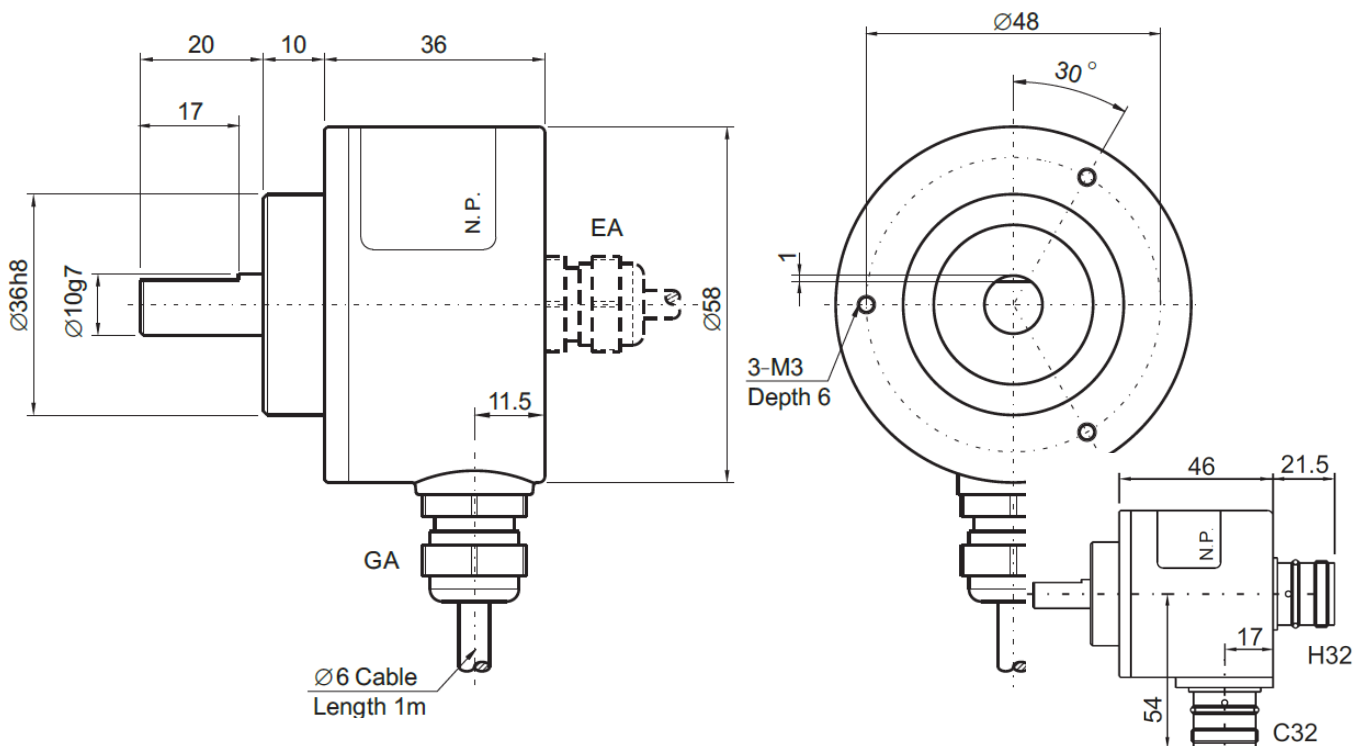
Color	White	Black	Red	Green	Yellow	Pink	Blue	Orange	Shield
Signal	Vcc	0V	A	B	Z	-	-	-	-1)
Signal	Vcc	0V	A	B	Z	A/	B/	Z/	-1)

Dimension drawing:

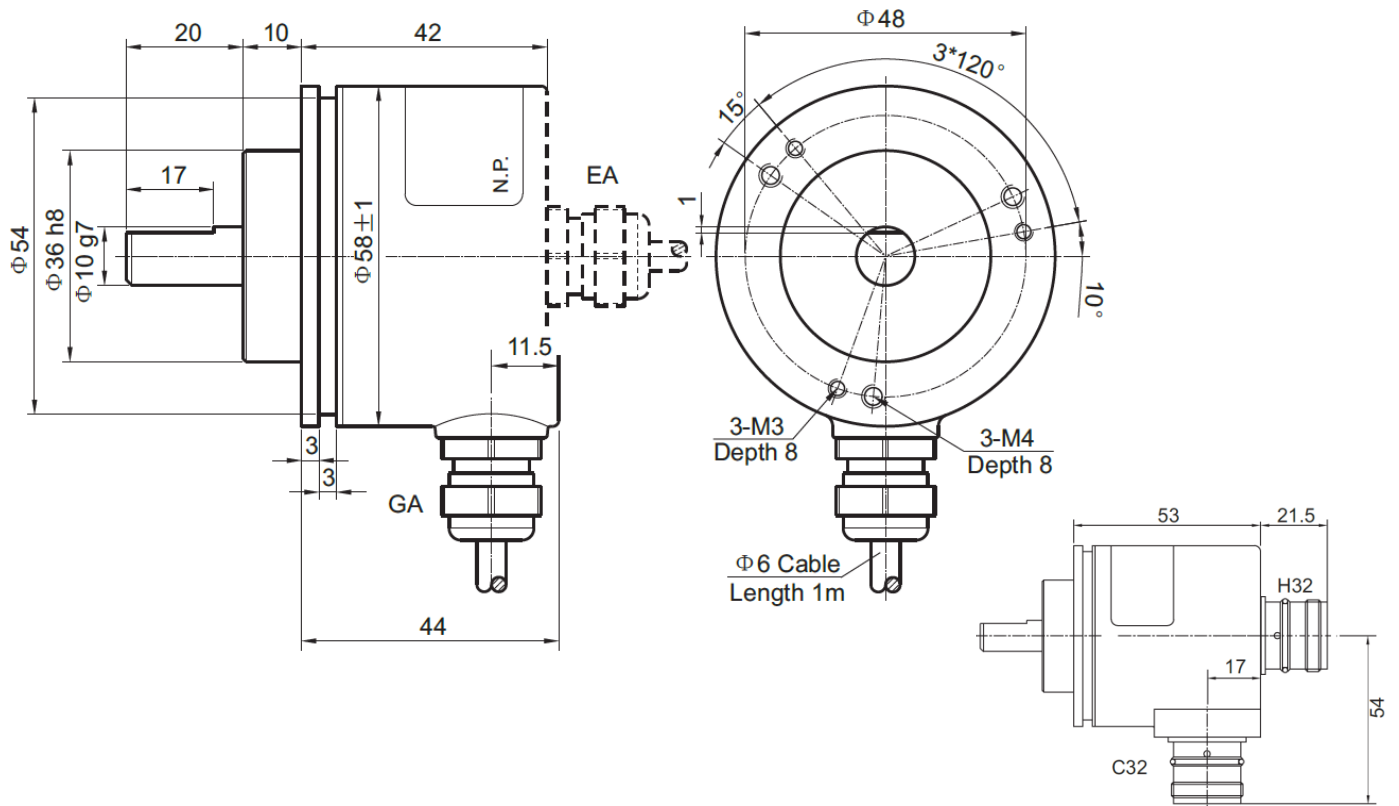
Series PINS58:



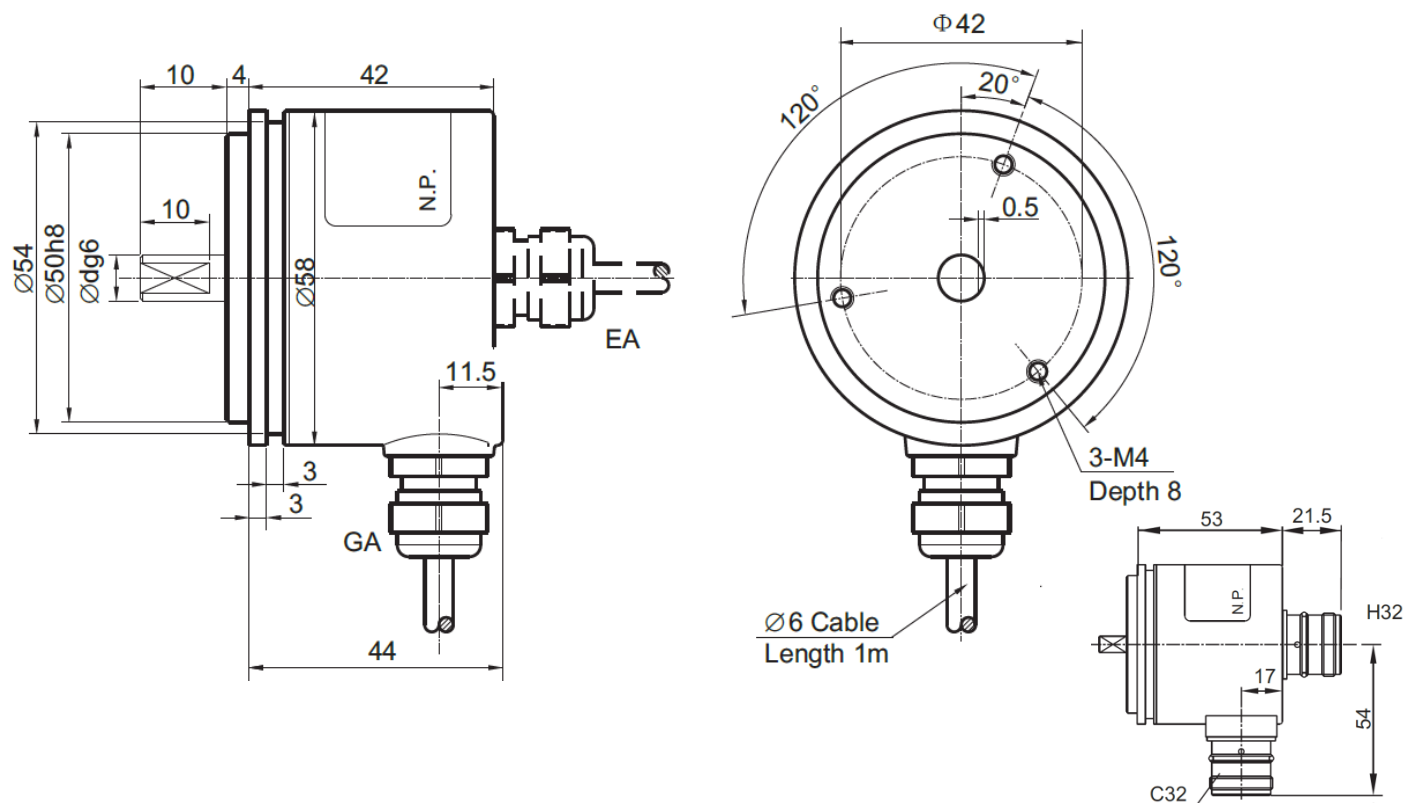
Series PINS58A:



Series PINS58B:



Series PINS58C:



Order Reference:

	1	2	3	4	5	6	7	8
1. Spec. and series	PINS58 - PINS58A - PINS58B - PINS58C -	XXX	XX	X	X	X	XXXXXX	XX
2. Shaft diameter								
006 Ø6mm		006						
008 Ø8mm		008						
010 Ø10mm		010						
3. Connection type								
A1 Cable Ø7mm, 8x2x0.14mm ² , 1m			A1					
AC Connector 8 pins			AC					
AB Connector M23			AB					
4. Connection position								
A Axial				A				
R Radial				R				
5. Signal output								
6 A+ B+ Z+ and A- B- Z-					6			
3 A B Z					3			
6. Output circuit								
T 10-30V, HTLpush-pull						T		
E 5V, TTLdriver output						E		
F 5-30V, HTLpush-pull						F		
7. Number of pulses:							01024	
10, 15, 50, 100, 120, 125, 200, 250, 256, 300, 360, 400, 500, 512, 600, 1000, 1024, 1200, 1250, 1500, 1800, 2000, 2048, 2500, 3000, 3600, 4000, 4096, 5000, 8192, 10000, 16000								
8. EX explosion-proof								
EX explosion-proof type encoder EX II 2G Ex ib IIB T4 Gb								EX