

## Features and applications

- Precise opto-electronic sensor
- Small design
- Resolution Max. 3600 ppr.
- High Interference-free capability
- Widely applied in all industries.



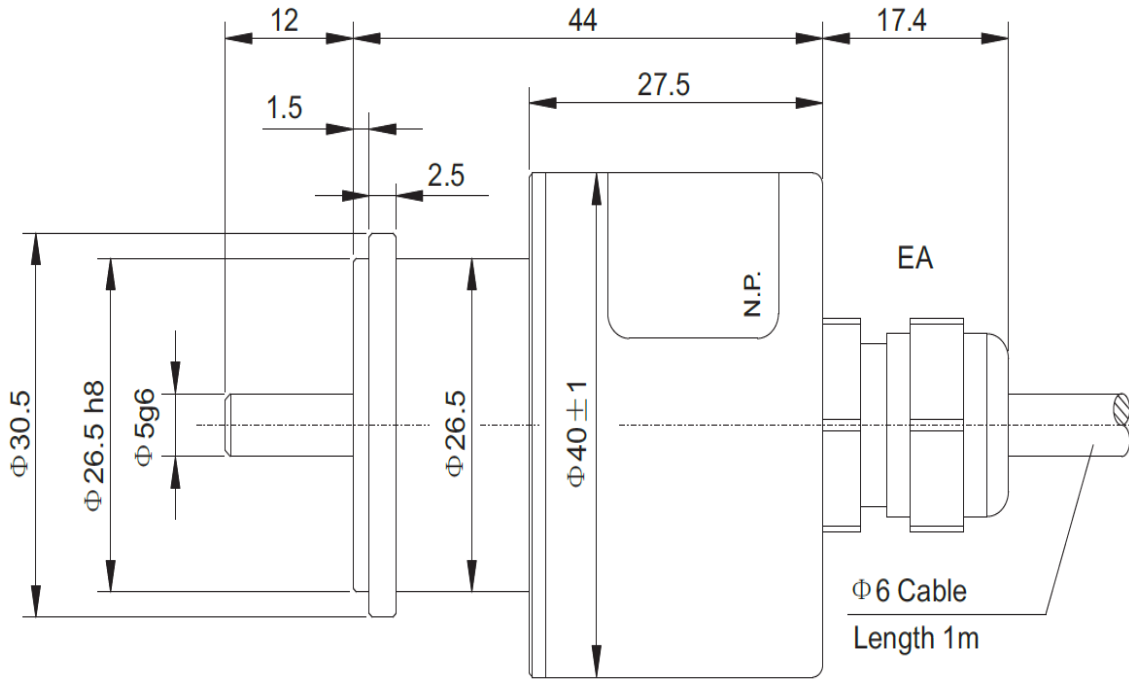
Model	PIN40-MF	PIN44A	PIN44B	PIN44C
Housing diameter	Ø 40mm	Ø 44mm		
Shaft diameter	Solid shaft Ø 5mm	Solid shaft Ø 6, 8mm	Through hole Ø 6, 8, 10mm	Through hole Ø 12mm
Working principle	opto-electronic			
Power supply	5±0.25 Vdc or 10....30Vdc			
Output circuit	HTL/push-pull ,TTL/RS422,Voltage output, Current output			
Output signal	A B , A B Z or A B Z + A/ B/ Z/			
Zero signal	Zsignal width1T (0.5T or 0.25T for option)			
Current consumption	80mA, (HTL/TTL 150mA max.)			
Response frequency	100KHz, 125KHz , 150KHz , 250KHz , 300KHz			
Connection type	Cable or Connector			
Connection position	Axial			
Max. speed	6000 r/min			
Shaft load	Radial 20N, Axial 10N			
Protection class	IP65	IP54	IP54, IP65	IP50
Starting torque	3x10 <sup>-2</sup> N.m Max.			
Operating temperature	-25°C....85°C (-40°C....100°C special make)			
Storage temperature	-30°C....100°C	-30°C....80°C	-30°C....100°C	
Shock resistance	1000 m/s <sup>2</sup> , 6 ms			
Vibration resistance	100 m/s <sup>2</sup> , 10....200Hz			
Resolution	Common pulse: 50, 100, 125, 180, 200, 250, 256, 360, 400, 500, 512, 600, 720, 1000, 1024, 1200, 1250, 1500, 2000, 2048, 2500, 3000, 3600			

## Wiring table

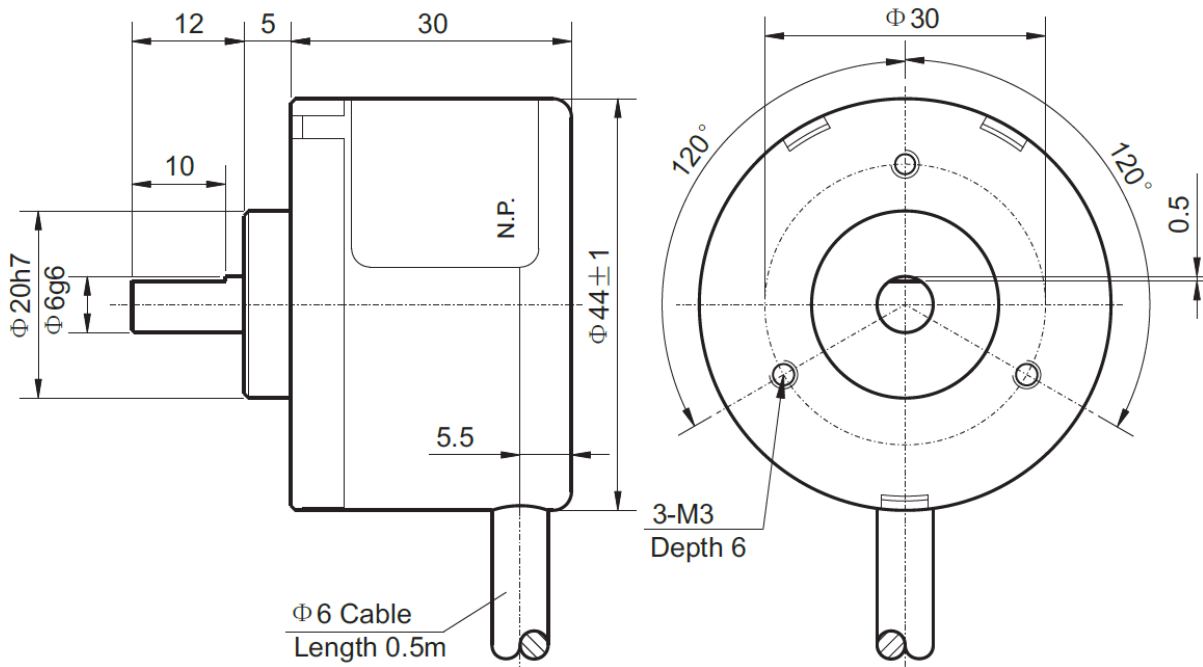
Color	White	Black	Red	Green	Yellow	Pink	Blue	Orange	Shield
Signal	Vcc	0V	A	B	Z	-	-	-	-1)
Signal	Vcc	0V	A	B	Z	A/	B/	Z/	-1)

## Dimension drawing

Series PIN40-MF:

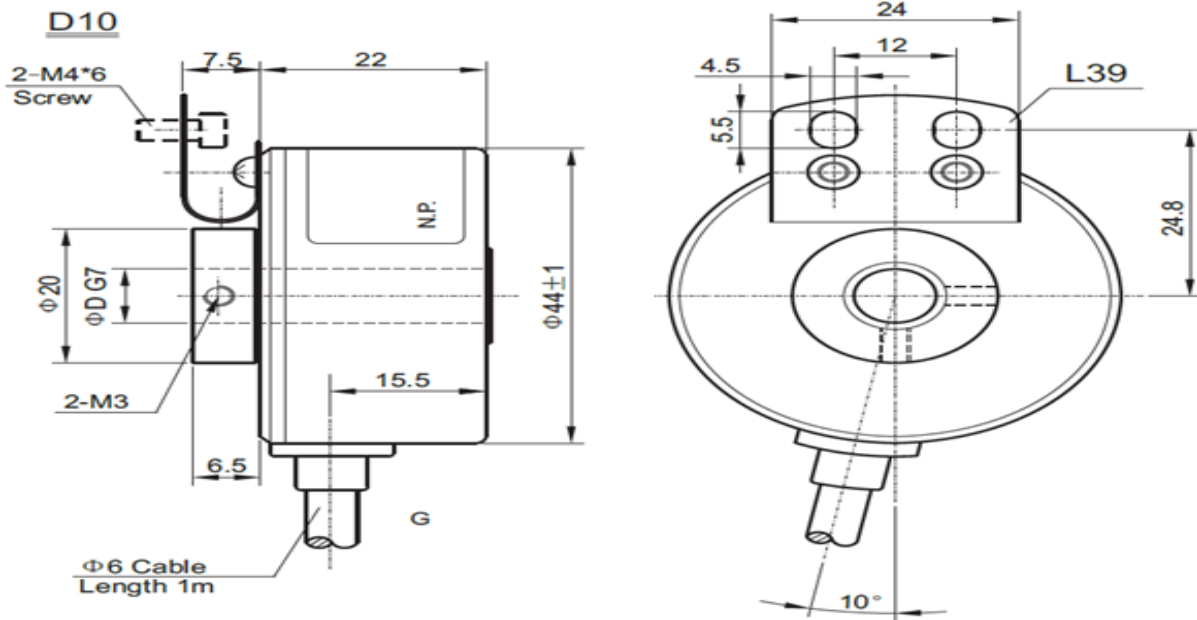


Series PIN44A:

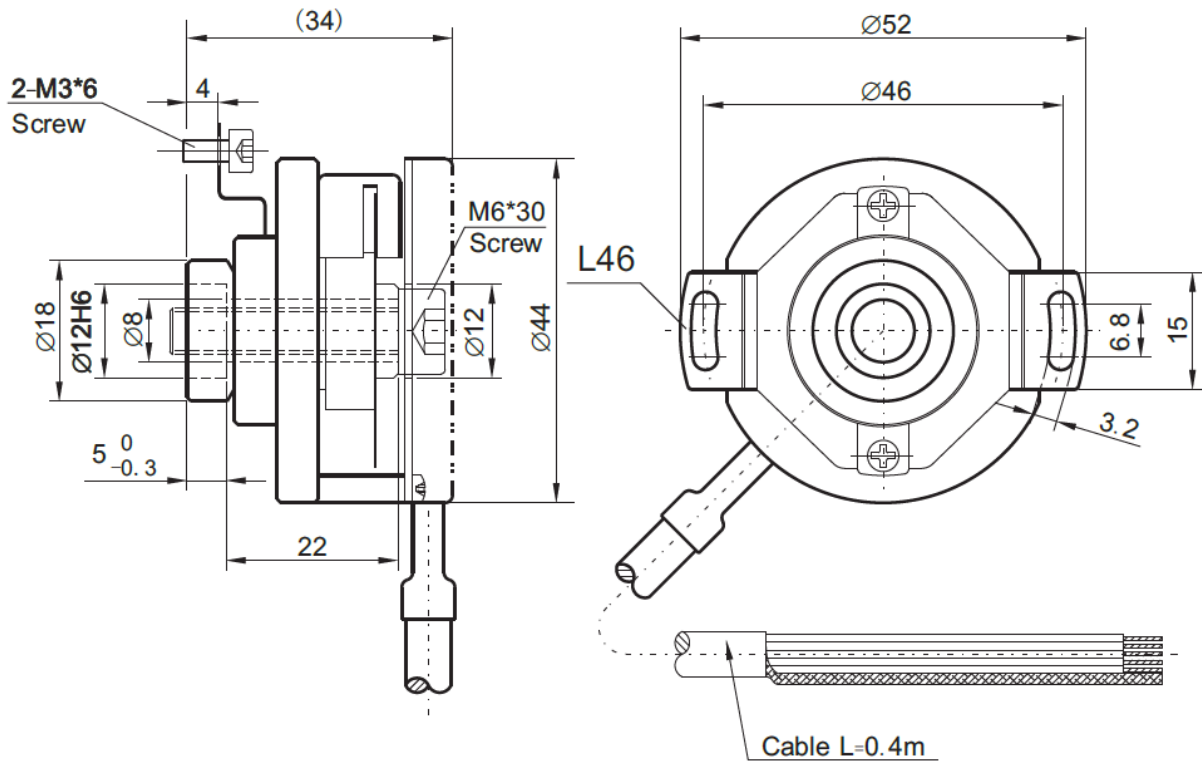


## Dimension drawing:

Series PIN44B:



Series PIN44C:



## Order Reference:

	1	2	3	4	5	6	7	8
<b>1. Spec. and series</b>	PIN40MF- PIN44A - PIN44B - PIN44C -	XXX	XX	X	X	X	XXXXX	XX
<b>2. Shaft diameter</b>								
005 Solid shaft Ø5mm		005						
006 Solid shaft/through-hole Ø6mm		006						
008 Solid shaft/through-hole Ø8mm		008						
010 Solid shaft/through-hole Ø10mm		010						
012 Through-hole Ø12mm		012						
<b>3. Connection type</b>								
A1 Cable Ø7mm, 8x2x0.14mm <sup>2</sup> , 1m			A1					
AC Connector 8 pins			AC					
AB Connector M23			AB					
<b>4. Connection position</b>								
A Axial				A				
R Radial				R				
<b>5. Signal output</b>								
6 A+ B+ Z+ and A- B- Z-					6			
3 A B Z					3			
<b>6. Output circuit</b>								
T 10-30V, HTLpush-pull						T		
E 5V, TTLdriver						E		
F 5-30V, HTLpush-pull						F		
<b>7. Number of pulses:</b>								
10, 15, 50, 100, 120, 125, 200, 250, 256, 300, 360, 400, 500, 512, 600, 1000, 1024, 1200, 1250, 1500, 1800, 2000, 2048, 2500, 3000, 3600, 4000, 4096, 5000, 8192, 10000, 16000							01024	
<b>8. Special specifications</b>								ZZ