

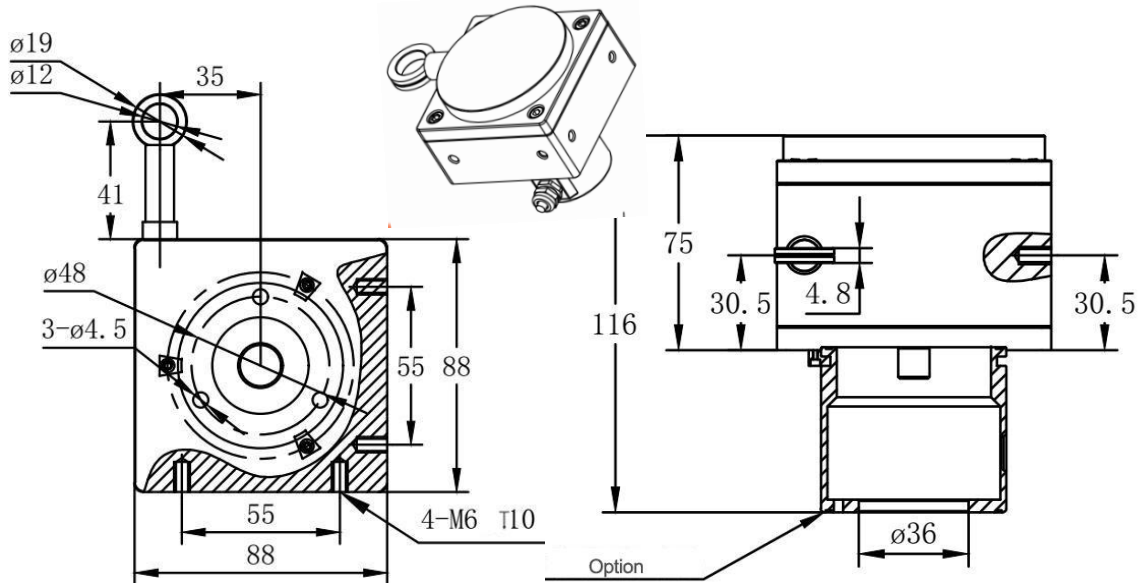
Features and applications:

- Measuring range 0---4000 mm
- Various interface for option
- Compact housing and flexible assembly
- High resolution
- Applied in harsh environments



Model	PNLS223-3M	PNLS223-4M
Measuring range	3000 mm	4000 mm
Limit range	3300 mm	4200 mm
Single turn length	223mm	
Cable diameter	1.0 mm	0.81 mm
Tension range	5-15N	
Measuring accuracy	±0.05%	
Measuring speed	4m/s	
Body material	Aluminum	
Cable material	316L stainless steel with plastic coating	
Operating temperature	-45°C.....+105°C	
Protection class	IP54/IP65	
Life time	5 million times	
Signal option for Absolute encoder		
Output signal	4-20mA , 0-5V , 0-10V , 0-20mA , SSI , Parallel , RS485 , MODBUS-RTU , Profibus-DP , CANopen	
Operating voltage	10....30Vdc or 5Vdc	
Signal adjustment	Corresponding value of each turn / Direction/ Preset position/ External zero position/ Total range adjustable,	
Protection class	IP65 (Shell IP67 / Shaft IP65)	
Signal option for Incremental encoder		
Output mode	HTL/push-pull output, TTL/RS422, Voltage output, Current output	
Output signal	A B , A B Z or A B Z + A/ B/ Z/	
Operating voltage	5±0.25 Vdc or 10...30 Vdc	
Number of pulse	1~5000 (5000~100000 with PLC)	
Connection	Cable or Connector	

Dimension Drawing:



Order Reference						
PNLS223	-3000	B	L	E	C01	D
Series	Measuring range	Encoder type	Output signal	Operating voltage	Connection	Special customization
PNLS223	2000 : 2000mm 2500 : 2500mm 3000 : 3000mm 4000 : 4000mm	A : Incremental pulse output B : Absolute signal output	FB: pulse signal L: 4-20mA 0L: 0-20mA V: 0-5V 0V: 0-10V RS: RS485 R2: RS422 RM: Modbus SG: SSI Gray Code SB: SSIbinary PG: Parallel gray code PB: Parallel binary CA: CANopen DP: Profibus-DP NT: DeviceNet	E : 10-30VDC A : 5VDC	C01: Side cable C02: Rear cable C03: Side connector C04: Rear connector	D: Cable extension E : Mounting plate F1 : With cover